



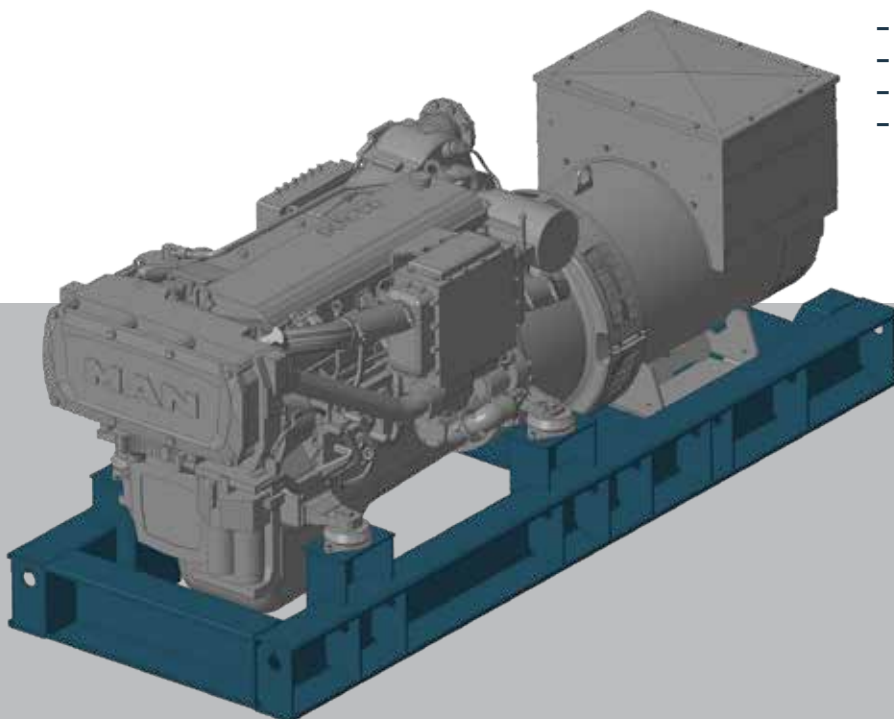
High Speed GenSets

176 kWe – 752 kWe

Utilizing the new range of MAN High Speed marine engines, the MAN Alpha GenSet is characterized by a clear-cut design, flexible ship integration, and straightforward maintenance.

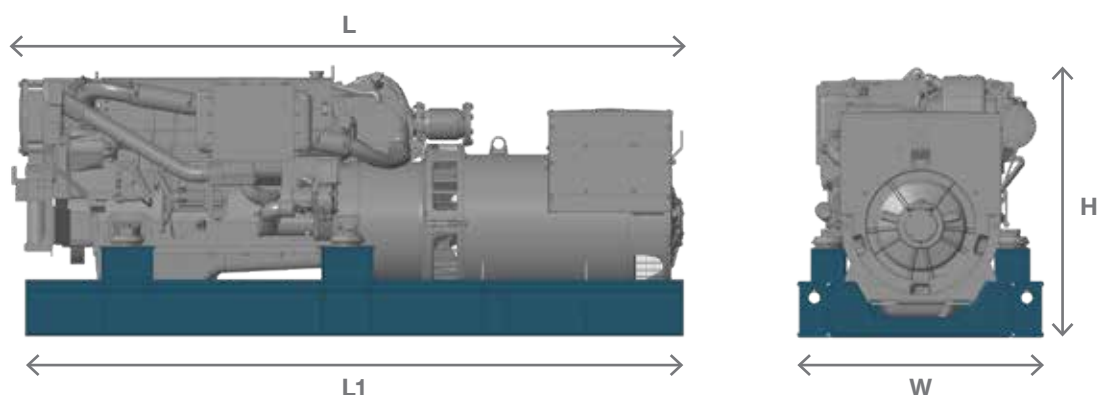
Everything from one supplier

- Designed by MAN ES
- Assembled and tested by MAN ES
- Commissioning by MAN ES
- Support & After Sales by MAN ES



MAN Alpha GenSets

Dimensions



6 cylinder versions

L, mm	2730
L1, mm	2600 (model specific)
H, mm	1397
W, mm	990
Dry mass, kg	2200 (model specific)

12 cylinder versions

L, mm	3332
L1, mm	3178 (model specific)
H, mm	1531
W, mm	1372
Dry mass, kg	4500 (model specific)

General

- Standard layout with engine and 2 bearing alternator connected via bellhousing and resiliently seated on the base frame
- Common rail electronic fuel injection
- Integrated lubrication system with extraction pump
- Seawater cooling with engine integrated pump, heat exchanger and expansion tank.
- Böning safety & control system box with 3m cabling for flexible installation in engine room
- Compact and flexible after treatment system for all Tier III compliant engines

Optional equipment

- Pneumatic starter
- Ship side cooling (split HT and LT system)
- Exhaust gas compensator & silencer
- Bridge operating panel
- Alternator space heater
- Winding temperature sensors
- 690 volt alternator
- Alternator repair kit (Diode set, AVR, Varistor)
- Alternator bearing set
- 2 filter sets (air, fuel and lube oil)
- Extended warranty
- On site commissioning

MAN ES engine room – example of a complete delivery

- MAN 8L27/38 propulsion engine Tier III with SCR
- MAN Alpha Propeller
- Alphatronic 3000 Propulsion Control System
- MAN 175D aux. genset
- MAN D2862 LE327 harbor genset

Alternator

Enclosure	IP 23
Temperature class H	120°/45°
P.F.	0,8
380 - 415V	50 Hz
440 - 480V	60 Hz

Engine (12 cylinder version)

	MAN D2862 LE322		MAN D2862 LE328		MAN D2862 LE321		MAN D2862 LE327	
MCR (kWm)	600	700	600	700	700	800	700	800
Output (kWe)	565	660	565	660	656	752	656	752
Speed (rpm)	1500	1800	1500	1800	1500	1800	1500	1800
Average load (%)	75	75	75	75	75	75	75	75
Frequency (Hz)	50	60	50	60	50	60	50	60
SFOC (100% load, g/kWh)	196	200	195	199	197	198	199	202
Emissions	Tier II	Tier II	Tier III	Tier III	Tier II	Tier II	Tier III	Tier III

Engine (6 cylinder version)

	MAN D2676 LE332		MAN D2676 LE322		MAN D2676 LE328		MAN D2676 LE327		MAN D2676 LE321	
MCR (kWm)	190	220	280	330	295	295	360	410	375	445
Output (kWe)	176	204	262	310	277	276	338	385	340	417
Speed (rpm)	1500	1800	1500	1800	1500	1800	1500	1800	1500	1800
Average load (%)	75	75	75	75	75	75	75	75	75	75
Frequency (Hz)	50	60	50	60	50	60	50	60	50	60
SFOC (100% load, g/kWh)	210	208	203	199	196	200	195	202	200	198
Emissions	Tier II	Tier II	Tier II	Tier II	Tier III	Tier III	Tier III	Tier III	Tier II	Tier II

MAN Energy Solutions

Niels Juels Vej 15
9900 Frederikshavn
Denmark
P +45 96 20 41 00
info-frh@man-es.com
www.man-es.com

All data provided in this document is non-binding. This data serves informational purposes only and is not guaranteed in any way. Depending on the subsequent specific individual projects, the relevant data may be subject to changes and will be assessed and determined individually for each project. This will depend on the particular characteristics of each individual project, especially specific site and operational conditions.

Copyright © MAN Energy Solutions.
3010-0415-00 Printed in Denmark